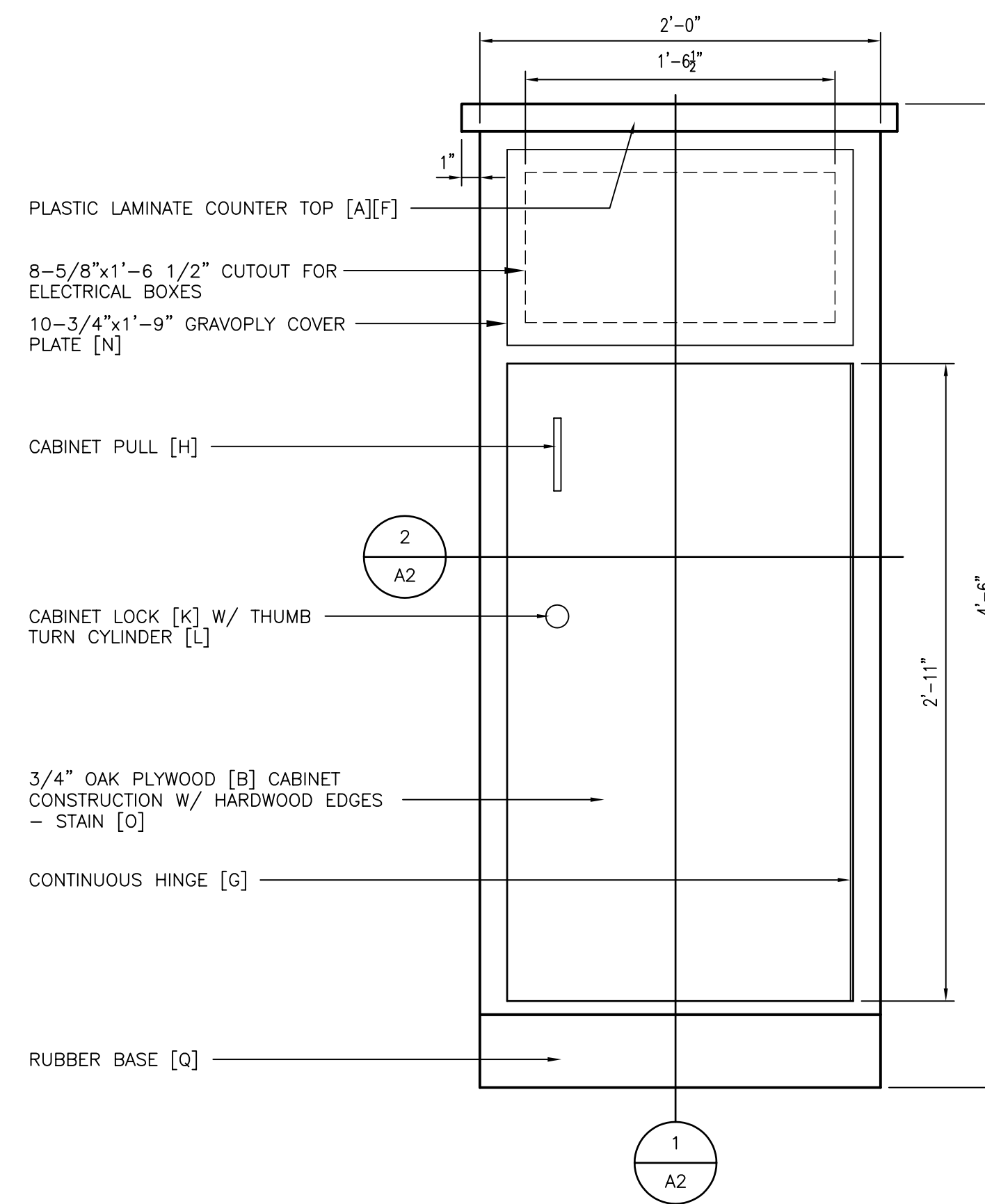
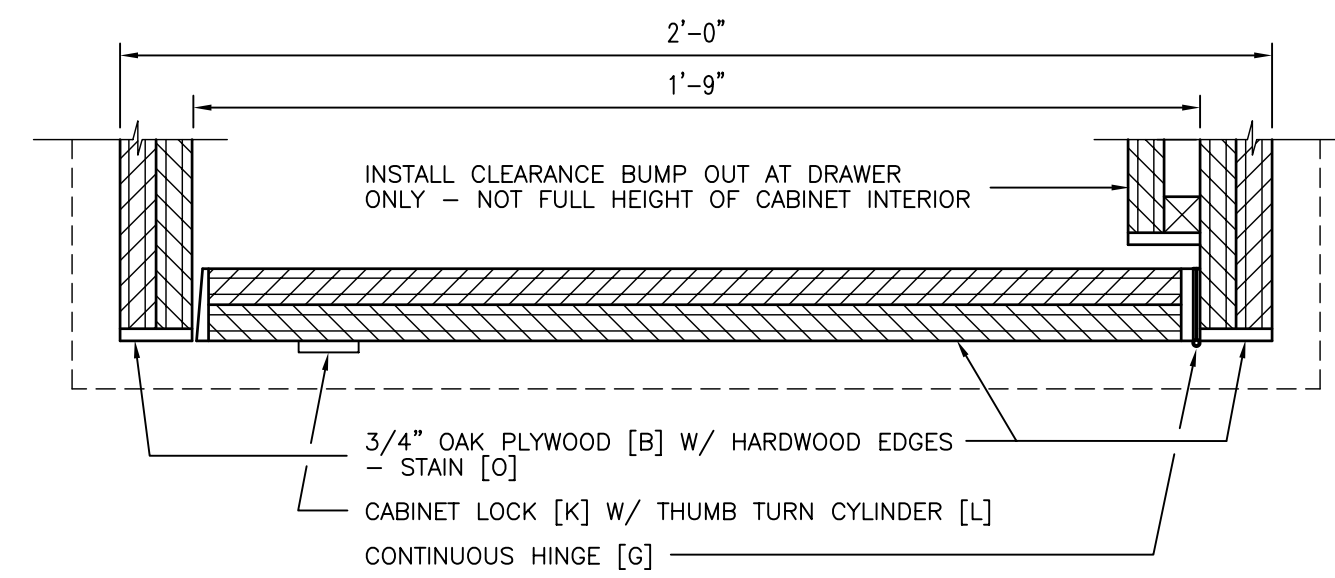


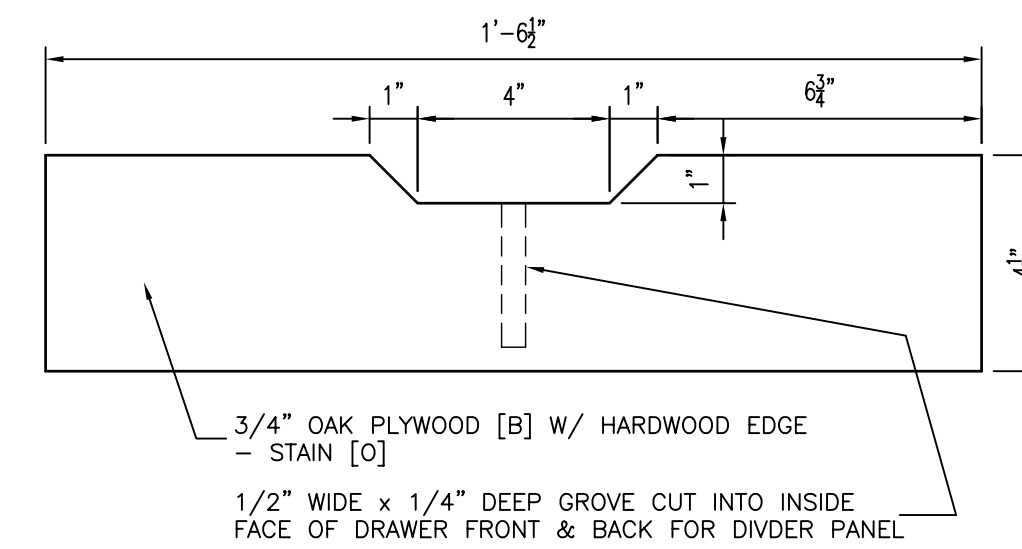
1
 A2
CABINET SECTION
 SCALE: 1-1/2" = 1'-0"



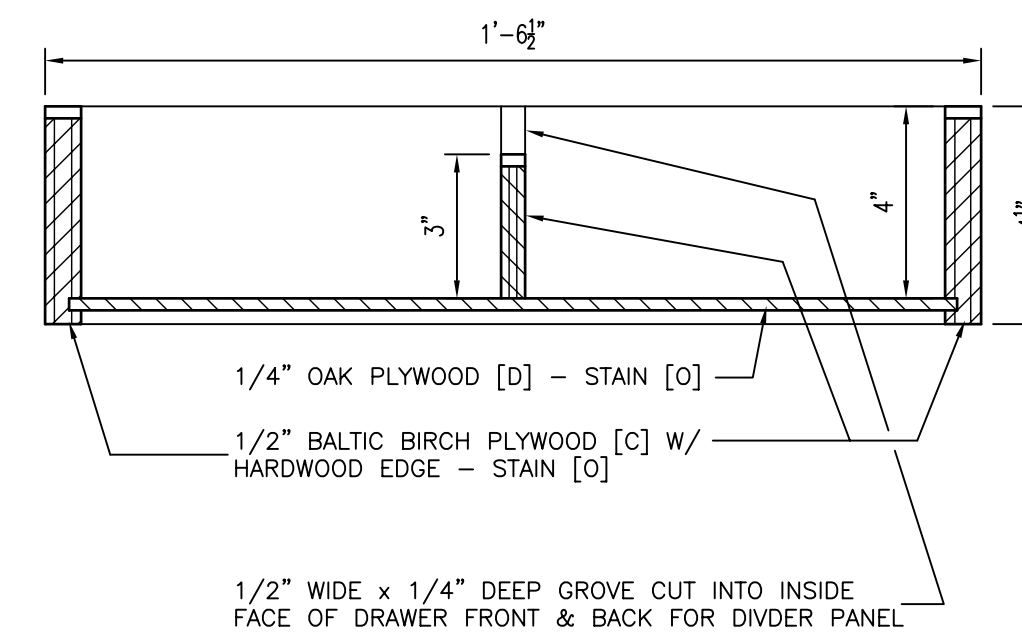
CABINET ELEVATION
 SCALE: 1-1/2" = 1'-0"



2
 A2
CABINET SECTION
 SCALE: 3" = 1'-0"



DRAWER FRONT ELEVATION
 SCALE: 3" = 1'-0"



DRAWER SECTION
 SCALE: 3" = 1'-0"

CAPITAL NUMBER

PROJECT NUMBER

DESIGNED BY
SD

CHECKED BY

DATE

ISSUED

COMPLETED

REVISIONS

NO.	DESCRIPTION

SHEET TITLE