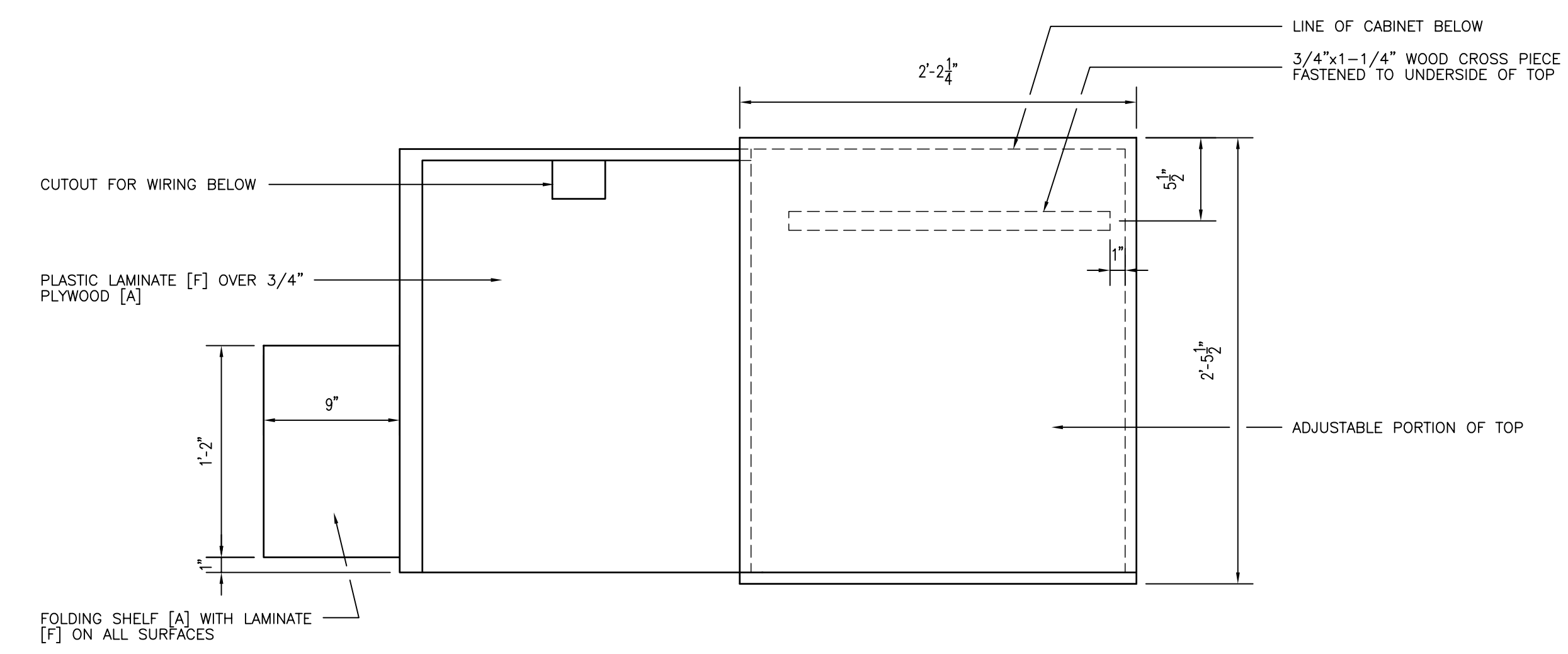
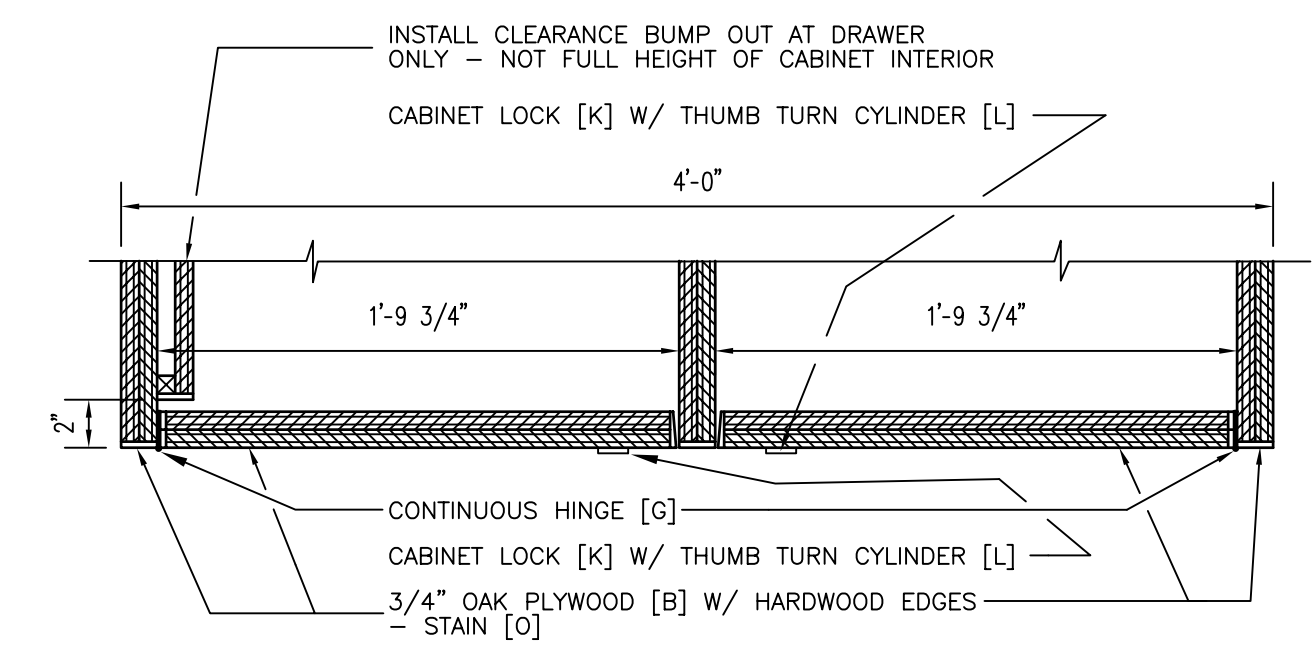


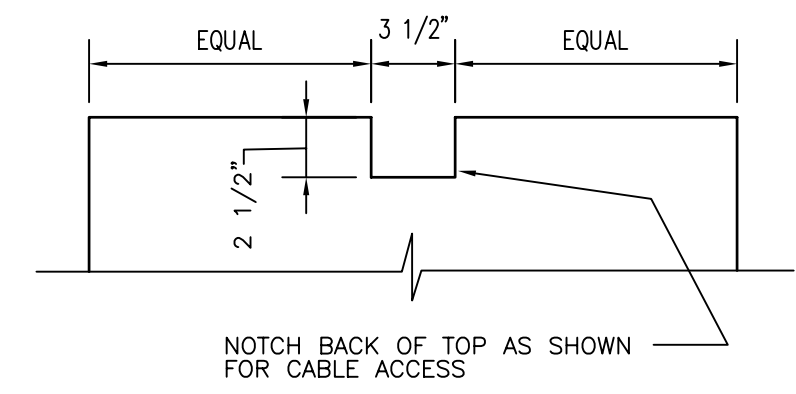
1 TEACHING CABINET ELEVATION
 SCALE: 1-1/2" = 1'-0"



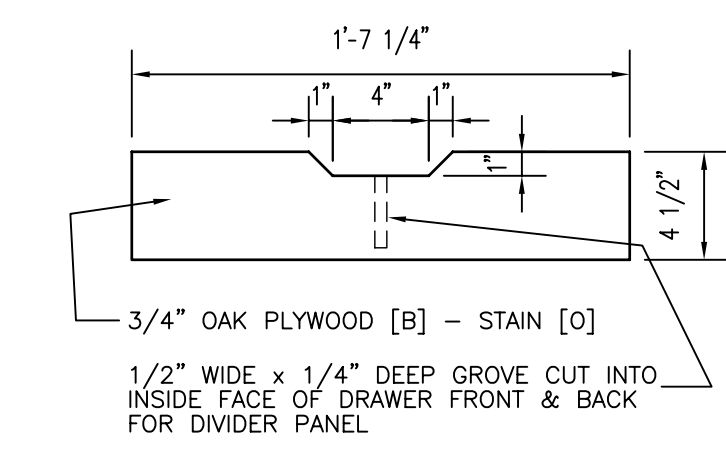
TEACHING CABINET TOP VIEW
 SCALE: 1-1/2" = 1'-0"



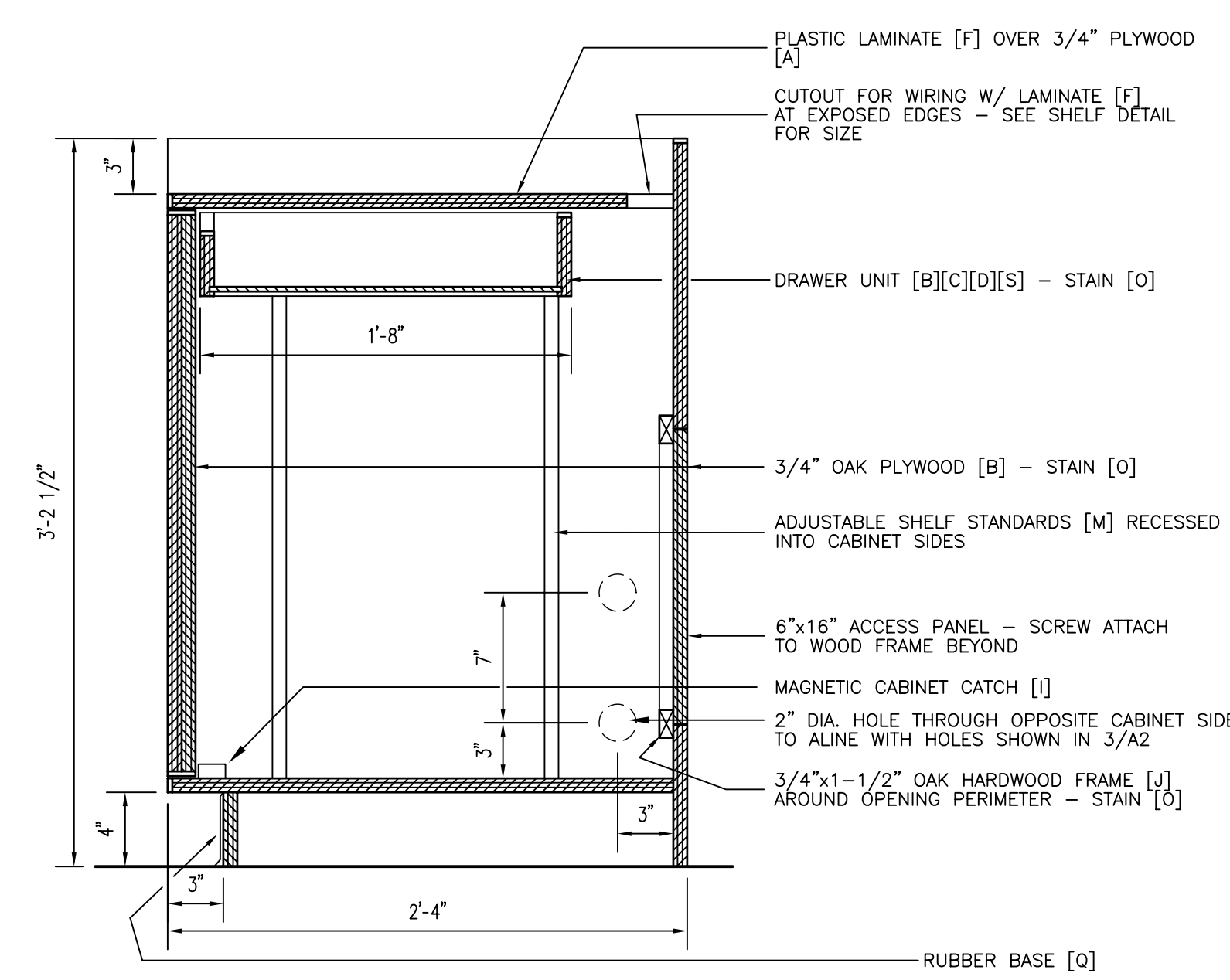
2 TEACHING CABINET SECTION
 SCALE: 1-1/2" = 1'-0"



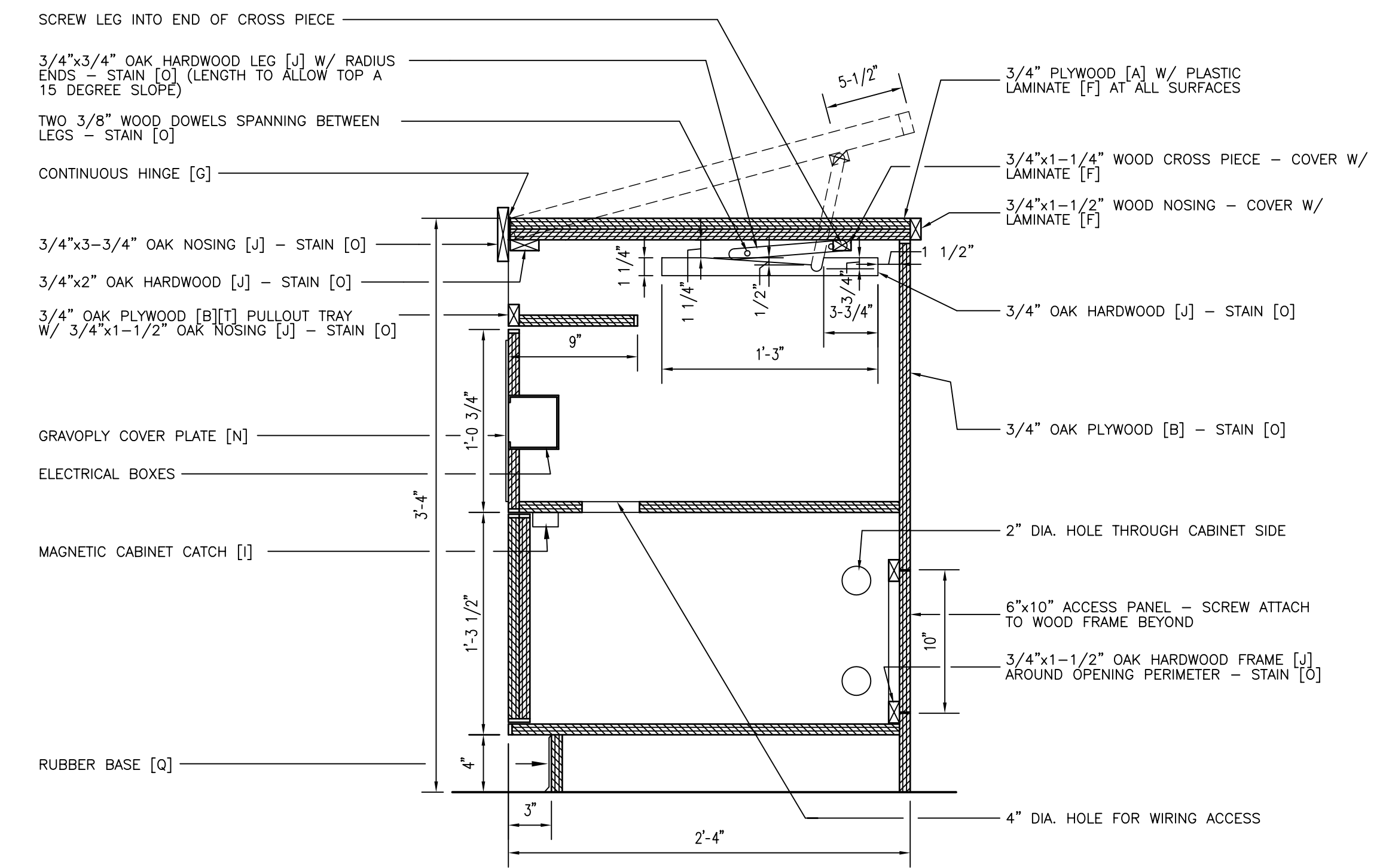
TOP DETAIL
 SCALE: 1-1/2" = 1'-0"



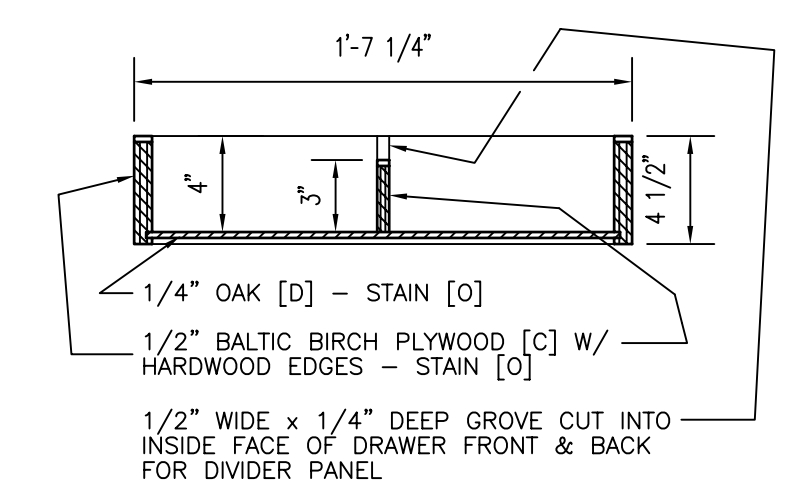
DRAWER FRONT ELEVATION
 SCALE: 1-1/2" = 1'-0"



4 TEACHING CABINET SECTION
 SCALE: 1-1/2" = 1'-0"



3 TEACHING CABINET SECTION
 SCALE: 1-1/2" = 1'-0"



DRAWER SECTION
 SCALE: 1-1/2" = 1'-0"

CAPITAL NUMBER
PROJECT NUMBER
DESIGNED BY SD
CHECKED BY
DATE
ISSUED
COMPLETED
REVISIONS
<ul style="list-style-type: none"> ▲ ▲ ▲ ▲ ▲ ▲
SHEET TITLE
SHEET OF