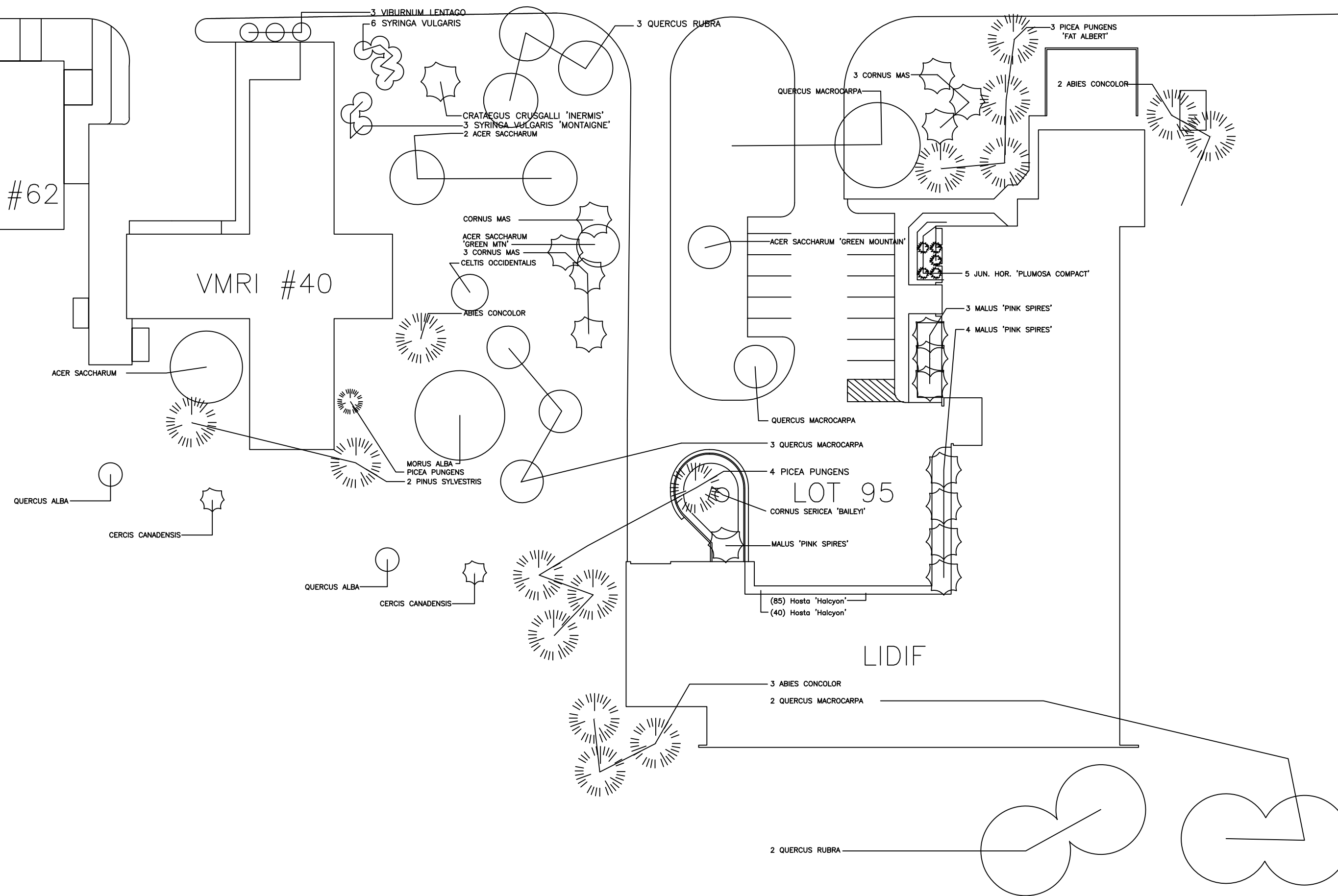
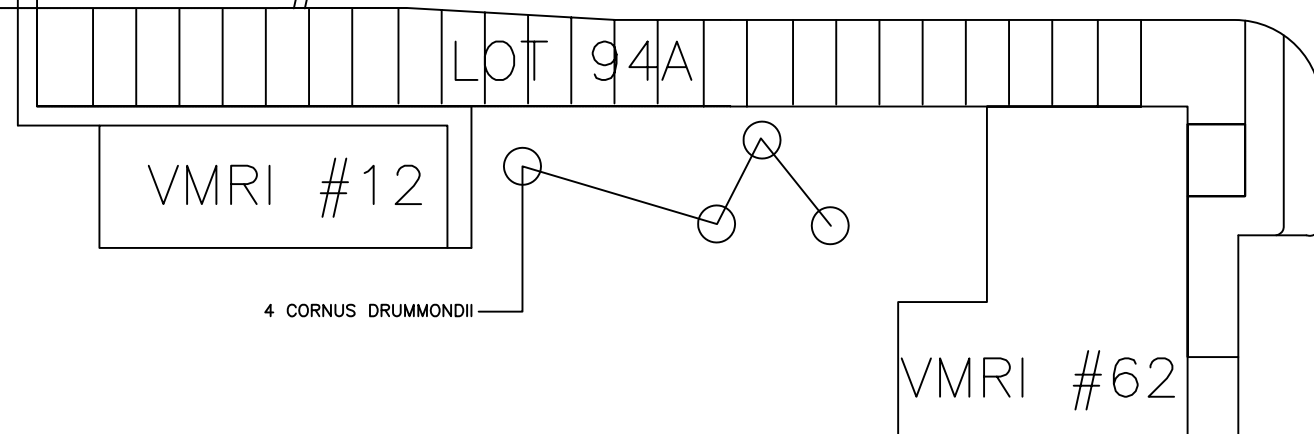
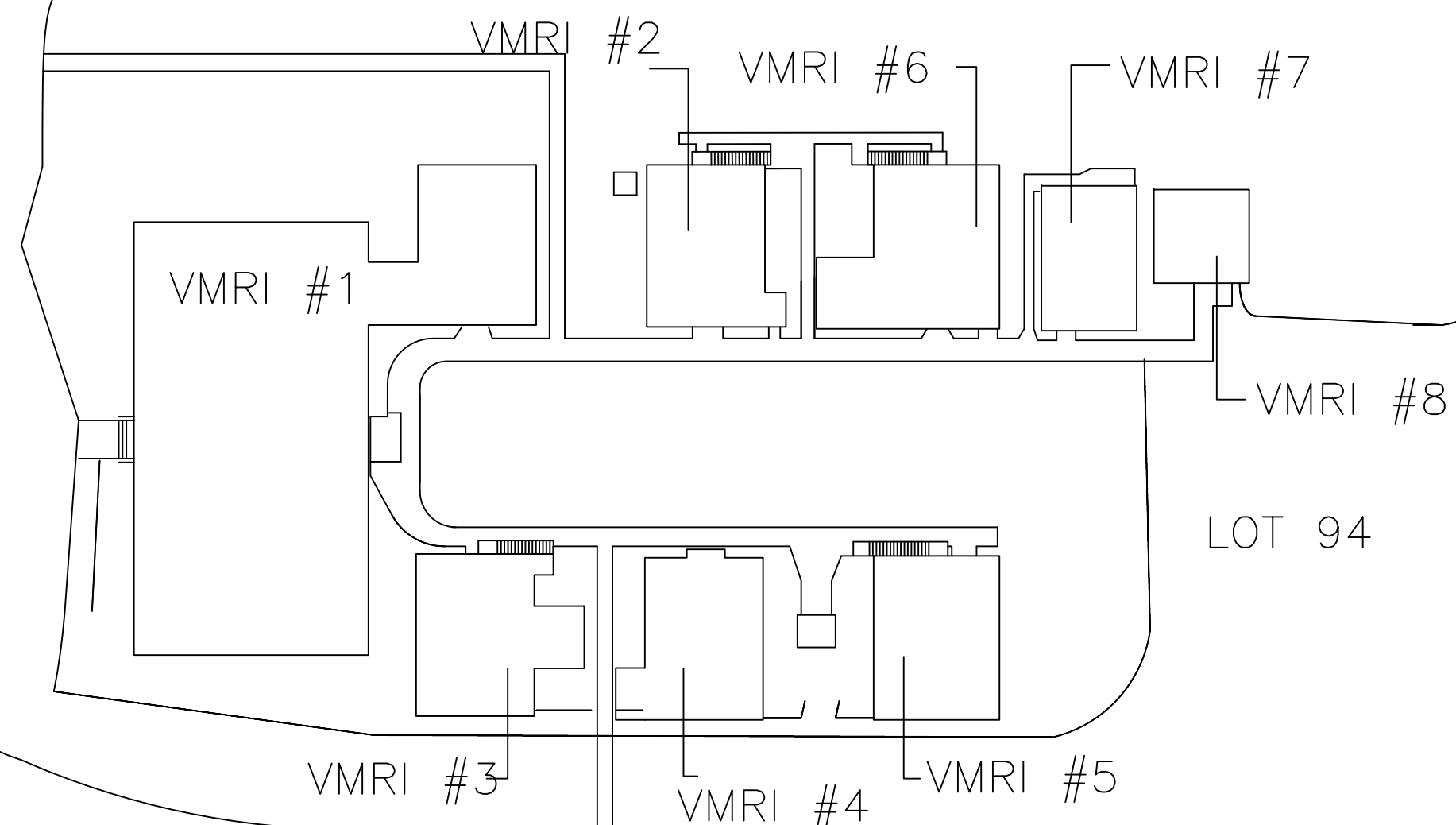


VETERINARY MEDICAL
RESEARCH GROUNDS



APPROVED BY	COMPLETED
CHECKED BY SARAH JENSEN	ISSUED
DESIGNED BY	DATE JUNE.06.2014
SCALE 1" = 40'	
REQUEST NO.	

CAMPUS PLANT INVENTORY
PLANT-61