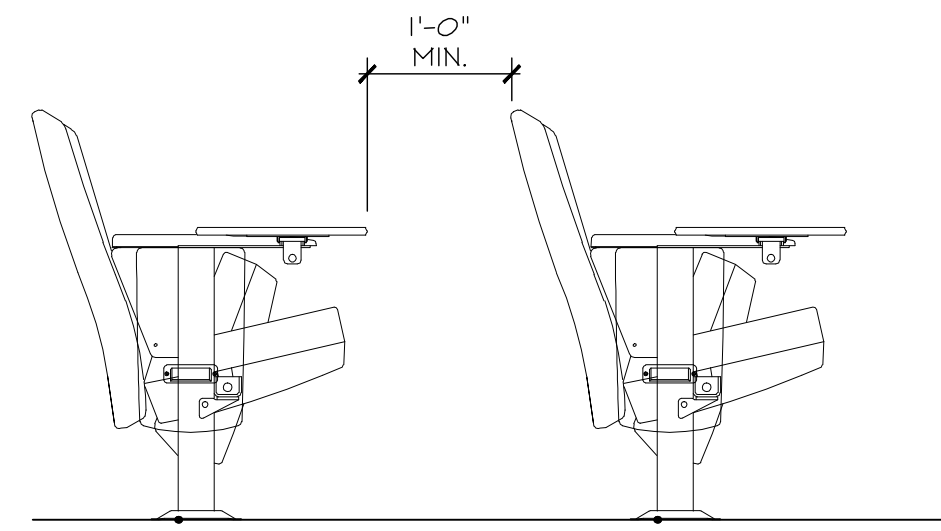
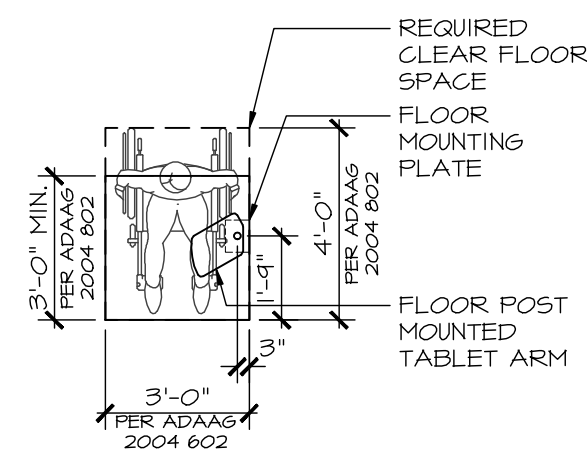


ROW SPACING (TYPICAL)



SEATING LEGEND

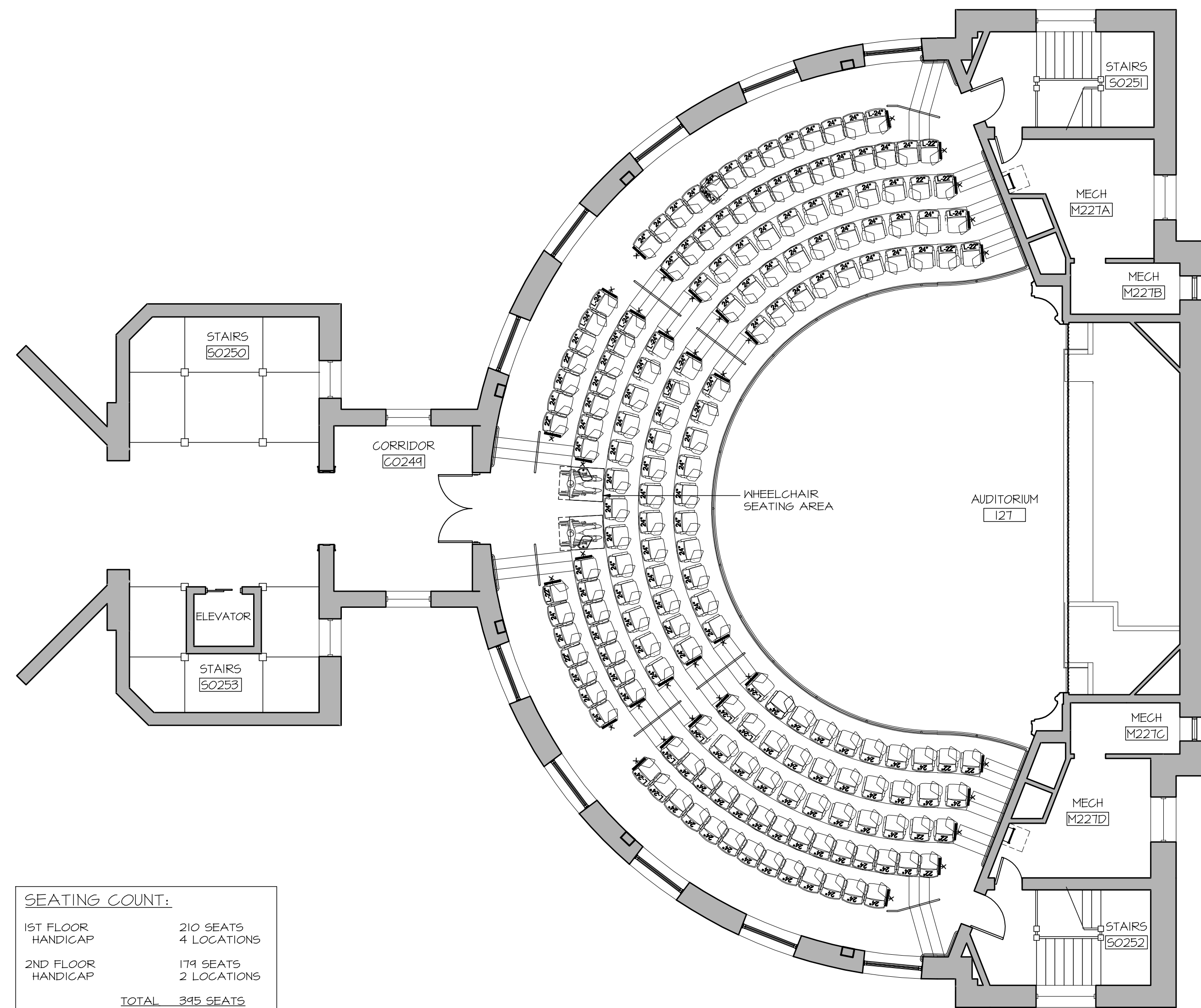
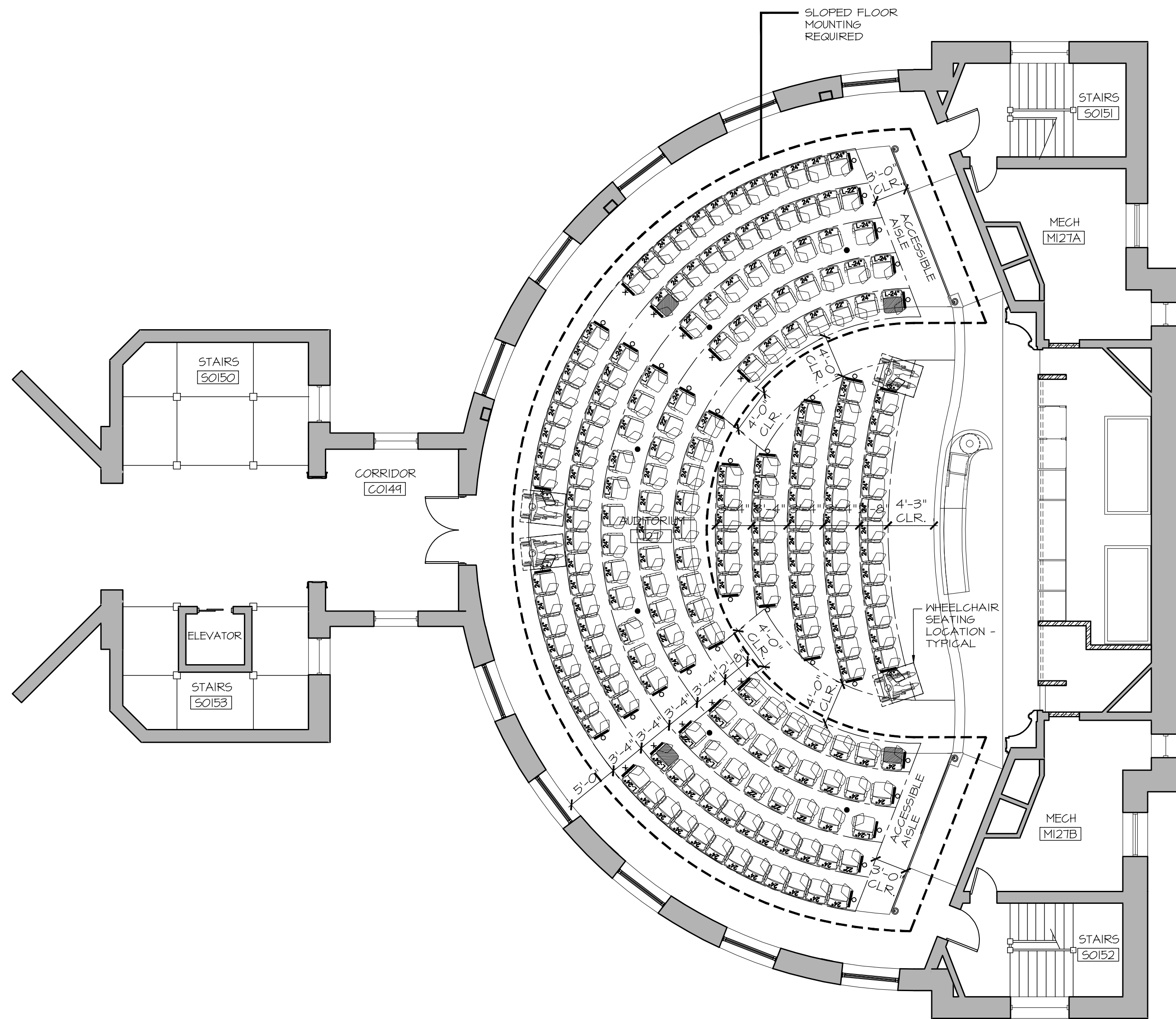
- SEAT SIZES
- 24" WIDE SEAT RIGHT HAND TABLET ARM
 - 24" WIDE SEAT LEFT HAND TABLET ARM
 - 22" WIDE SEAT RIGHT HAND TABLET ARM
 - 22" WIDE SEAT LEFT HAND TABLET ARM
 - FREESTANDING FLOOR MOUNTED TABLET FOR WHEELCHAIR USER SEE DETAIL 3/A1.6 FOR DIMENSIONS
 - LAMINATE END PANEL WITH ROW MARKER
 - LAMINATE END PANEL WITH INTEGRAL AISLE LIGHT AND ROW MARKER
 - DESIGNATED AISLE SEAT

SEATING FINISH SCHEDULE

Seating Fabric	Manufacturer	Style/Pattern	Color	Number	Schedule	Color Description
Plastic Back and Arm Caps	Maharam	Intertwine	Esprit	460080-006		
Mesh	KI	---	Black			
Tablet Arm	Lamart	paperform textured	Barley	225-T		

3 WHEELCHAIR SEATING

SCALE: 1/4" = 1'-0"

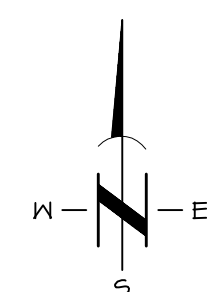


SEATING COUNT:

1ST FLOOR HANDICAP	210 SEATS
4 LOCATIONS	
2ND FLOOR HANDICAP	174 SEATS
2 LOCATIONS	
TOTAL	384 SEATS

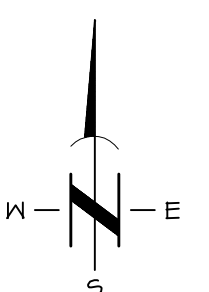
1 FIRST FLOOR PLAN

SCALE: 1/8" = 1'-0"



2 SECOND FLOOR PLAN

SCALE: 1/8" = 1'-0"



2005-42

CONSULTANTS:

M.E.P. & T. ENGINEER: Alvine Engineering

STRUCTURAL ENGINEER: Charles Saul Engineering

architects: smith metzger

2111 Grand Avenue, Suite 200
Ames, IA 50010
515-244-2111 Fax: 515-244-0815
e-mail: archiback@smithmetzger.com

General Classrooms and Auditoriums -
Curtiss Hall Room 127 Remodeling
Iowa State University
Ames, Iowa

2005-42

DATE: 07.06.06

REVISIONS:

08/03/06 AS BID

A1.6

FURNITURE PLANS

© 2006 architects smith metzger all rights reserved